

WAVEGUIDE TO COAXIAL ADAPTER

Waveguide to Coaxial Adapter (Right Angle)



ELECTRICAL CHARACTERISTICS:

Part No.	WG Type EIA	Freq Range (GHz)	VSWR	IL(dB)	Connector	Avg Power(W)	Length L(mm)	Flange	Material
SH-3WCAN	WR2300	0.32-0.49	≤1.25	≤0.2	N Female	100	500	FDP	Al
SH-4WCAN	WR2100	0.35-0.53	≤1.25	≤0.2	N Female	100	450	FDP	Al
SH-5WCAN	WR1800	0.41-0.62	≤1.25	≤0.2	N Female	100	400	FDP	Al
SH-6WCAN	WR1500	0.49-0.75	≤1.25	≤0.2	N Female	100	350	FDP	Al
SH-8WCAN	WR1150	0.64-0.98	≤1.25	≤0.2	N Female	100	240	FDP	Al
SH-9WCAN	WR975	0.75-1.15	≤1.25	≤0.2	N Female	100	209	FDP	Al
SH-12WCAN	WR770	0.96-1.46	≤1.25	≤0.2	N Female	100	166	FDP	Al
SH-14WCAN	WR650	1.13-1.73	≤1.25	≤0.2	N Female	100	150	FDP	Al
SH-18WCAN	WR510	1.45-2.20	≤1.25	≤0.2	N Female	100	120	FDP	Al
SH-22WCAN	WR430	1.72-2.61	≤1.25	≤0.2	N Female	100	100	FDP	Al
SH-26WCAN	WR340	2.17-3.30	≤1.25	≤0.2	N Female	100	85	FDP	Al
SH-32WCAN	WR284	2.60-3.95	≤1.25	≤0.2	N Female	100	72	FDP	Al
SH-40WCAN	WR229	3.22-4.90	≤1.25	≤0.2	N Female	100	65	FDP	Al
SH-48WCAN	WR187	3.94-5.99	≤1.25	≤0.2	N Female	100	54	FDP	Al
SH-48WCAS	WR187	3.94-5.99	≤1.25	≤0.2	SMA Female	50	67	FDP	Al
SH-58WCAN	WR159	4.64-7.05	≤1.25	≤0.2	N Female	100	50	FDP	Al
SH-58WCAS	WR159	4.64-7.05	≤1.25	≤0.2	SMA Female	50	52	FDP	Al
SH-70WCAN	WR137	5.38-8.17	≤1.25	≤0.2	N Female	100	48	FDP	Cu
SH-70WCAS	WR137	5.38-8.17	≤1.25	≤0.2	SMA Female	50	45	FDP	Cu
SH-84WCAN	WR112	6.57-9.99	≤1.25	≤0.3	N Female	100	40	FBP	Cu
SH-84WCAS	WR112	6.57-9.99	≤1.25	≤0.3	SMA Female	50	35	FBP	Cu
SH-100WCAN	WR90	8.20-12.4	≤1.25	≤0.3	N Female	100	35	FBP	Cu
SH-100WCAS	WR90	8.20-12.4	≤1.25	≤0.3	SMA Female	50	33	FBP	Cu
SH-120WCAN	WR75	9.84-15.0	≤1.25	≤0.3	N Female	100	33	FBP	Cu
SH-120WCAS	WR75	9.84-15.0	≤1.25	≤0.3	SMA Female	50	30	FBP	Cu
SH-140WCAN	WR62	11.9-18.0	≤1.25	≤0.3	N Female	100	32	FBP	Cu
SH-140WCAS	WR62	11.9-18.0	≤1.25	≤0.3	SMA Female	50	27	FBP	Cu
SH-180WCAS	WR51	14.5-22.0	≤1.25	≤0.3	SMA Female	30	27	FBP	Cu
SH-220WCAS	WR42	17.6-26.7	≤1.25	≤0.3	SMA Female	30	25	FBP	Cu
SH-220WCAK	WR42	17.6-26.7	≤1.25	≤0.3	2.92 Female	50	30	FBP	Cu
SH-220WCAV	WR42	17.6-26.7	≤1.25	≤0.3	2.4 Female	30	30	FBP	Cu
SH-260WCAK	WR34	21.7-33.0	≤1.25	≤0.3	2.92 Female	50	30	FBP	Cu
SH-260WCAV	WR34	21.7-33.0	≤1.25	≤0.3	2.4 Female	30	30	FBP	Cu
SH-320WCAK	WR28	26.5-40.0	≤1.25	≤0.3	2.92 Female	50	26	FBP	Cu
SH-320WCAV	WR28	26.5-40.0	≤1.25	≤0.3	2.4 Female	30	26	FBP	Cu
SH-400WCAV	WR22	33.0-50.0	≤1.80	≤0.5	2.4 Female	30	25	FUGP	Cu
SH-500WCA185	WR19	40.0-60.0	≤1.80	≤0.8	1.85 Female	10	23	FUGP	Cu
SH-620WCA185	WR15	50.0-65.0	≤2.0	≤0.8	1.85 Female	10	18	FUGP	Cu
SH-740WCA1.0	WR12	60.0-90.0	≤2.0	≤0.8	1.0 Female	10	23	FUGP	Cu
SH-900WCA1.0	WR10	90.0-100.0	≤2.0	≤0.8	1.0 Female	10	25	FUGP	Cu

WAVEGUIDE TO COAXIAL ADAPTER



Waveguide to Coaxial Adapter (Right Angle)

ELECTRICAL CHARACTERISTICS:

Part No.	WG Type EIA	Freq Range (GHz)	VSWR	IL(dB)	Connector	Avg Power(W)	Length L(mm)	Flange	Material
SH-3WECAN	WR2300	0.32-0.49	≤1.25	≤0.2	N Female	100	700	FDP	Al
SH-4WECAN	WR2100	0.35-0.53	≤1.25	≤0.2	N Female	100	600	FDP	Al
SH-5WECAN	WR1800	0.41-0.62	≤1.25	≤0.2	N Female	100	550	FDP	Al
SH-6WECAN	WR1500	0.49-0.75	≤1.25	≤0.2	N Female	100	450	FDP	Al
SH-8WECAN	WR1150	0.64-0.98	≤1.25	≤0.2	N Female	100	360	FDP	Al
SH-9WECAN	WR975	0.75-1.15	≤1.25	≤0.2	N Female	100	300	FDP	Al
SH-12WECAN	WR770	0.96-1.46	≤1.25	≤0.2	N Female	100	260	FDP	Al
SH-14WECAN	WR650	1.13-1.73	≤1.25	≤0.2	N Female	100	200	FDP	Al
SH-18WECAN	WR510	1.45-2.20	≤1.25	≤0.2	N Female	100	150	FDP	Al
SH-22WECAN	WR430	1.72-2.61	≤1.25	≤0.2	N Female	100	110	FDP	Al
SH-26WECAN	WR340	2.17-3.30	≤1.25	≤0.2	N Female	100	100	FDP	Al
SH-32WECAN	WR284	2.60-3.95	≤1.25	≤0.2	N Female	100	82	FDP	Al
SH-40WECAN	WR229	3.22-4.90	≤1.25	≤0.2	N Female	100	68	FDP	Al
SH-48WECAN	WR187	3.94-5.99	≤1.25	≤0.2	N Female	100	58	FDP	Al
SH-48WECAS	WR187	3.94-5.99	≤1.25	≤0.2	SMA Female	50	59	FDP	Al
SH-58WECAN	WR159	4.64-7.05	≤1.25	≤0.2	N Female	100	56	FDP	Al
SH-58WECAS	WR159	4.64-7.05	≤1.25	≤0.2	SMA Female	50	54	FDP	Al
SH-70WECAN	WR137	5.38-8.17	≤1.25	≤0.3	N Female	100	50	FDP	Cu
SH-70WECAS	WR137	5.38-8.17	≤1.25	≤0.3	SMA Female	50	50	FDP	Cu
SH-84WECAN	WR112	6.57-9.99	≤1.25	≤0.3	N Female	100	40	FBP	Cu
SH-84WECAS	WR112	6.57-9.99	≤1.25	≤0.3	SMA Female	50	40	FBP	Cu
SH-100WECAN	WR90	8.20-12.4	≤1.25	≤0.3	N Female	100	30.5	FBP	Cu
SH-100WECAS	WR90	8.20-12.4	≤1.25	≤0.3	SMA Female	50	30.5	FBP	Cu
SH-120WECAN	WR75	9.84-15.0	≤1.25	≤0.3	N Female	100	21	FBP	Cu
SH-120WECAS	WR75	9.84-15.0	≤1.25	≤0.3	SMA Female	50	21	FBP	Cu
SH-140WECAN	WR62	11.9-18.0	≤1.25	≤0.3	N Female	100	24	FBP	Cu
SH-140WECAS	WR62	11.9-18.0	≤1.25	≤0.3	SMA Female	50	24	FBP	Cu
SH-180WECAS	WR51	14.5-22.0	≤1.25	≤0.3	SMA Female	50	25	FBP	Cu
SH-220WECAS	WR42	17.6-26	≤1.25	≤0.3	SMA Female	50	17.5	FBP	Cu
SH-220WECAK	WR42	17.6-26.7	≤1.25	≤0.3	2.92 Female	50	18	FBP	Cu
SH-220WECV	WR42	17.6-26.7	≤1.25	≤0.3	2.4 Female	30	18	FBP	Cu
SH-260WECAK	WR34	21.7-33.0	≤1.25	≤0.3	2.92 Female	50	21	FBP	Cu
SH-260WECV	WR34	21.7-33.0	≤1.25	≤0.3	2.4 Female	30	21	FBP	Cu
SH-320WECAK	WR28	26.5-40.0	≤1.25	≤0.3	2.92 Female	50	16	FBP	Cu
SH-320WECV	WR28	26.5-40.0	≤1.50	≤0.3	2.4 Female	30	16.5	FBP	Cu
SH-400WECV	WR22	33.0-50.0	≤1.80	≤0.3	2.4 Female	30	8.8	FUGP	Cu
SH-500WECV	WR19	40.0-50.0	≤2.0	≤0.4	2.4 Female	30	7	FUGP	Cu
SH-500WECA1.85	WR19	40.0-60.0	≤1.80	≤0.6	1.85 Female	10	7	FUGP	Cu
SH-620WECA1.85	WR15	50.0-65.0	≤1.80	≤0.8	1.85 Female	10	7	FUGP	Cu
SH-740WECA1.0	WR12	60.0-90.0	≤1.80	≤0.8	1.0 Female	10	6	FUGP	Cu
SH-900WECA1.0	WR10	90.0-100.0	≤2.0	≤0.8	1.0 Female	10	6	FUGP	Cu

WAVEGUIDE TO COAXIAL ADAPTER

High Power Waveguide to Coaxial Adapter



ELECTRICAL CHARACTERISTICS:

Part No.	WG Type EIA	Freq Range (GHz)	Working Bandwidth	VSWR	IL(dB)	Connector	Avg Power(W)	Flange	Material
SH-14WHPCA15/8	WR650	1.13-1.73	≤15%	≤1.15	≤0.2	1'5/8 Female	≤5000	FDP	Al
SH-14WHPCA5339	WR650	1.13-1.73	≤15%	≤1.15	≤0.2	5339 Female	≤5000	FDP	Al
SH-14WHPCAL29	WR650	1.13-1.73	≤15%	≤1.15	≤0.2	L29 Female	≤2000	FDP	Al
SH-14WHPCAL27	WR650	1.13-1.73	≤15%	≤1.15	≤0.2	L27 Female	≤2000	FDP	Al
SH-18WHPCA15/8	WR510	1.45-2.20	≤15%	≤1.15	≤0.2	1'5/8 Female	≤4000	FDP	Al
SH-18WHPCA5339	WR510	1.45-2.20	≤15%	≤1.15	≤0.2	5339 Female	≤4000	FDP	Al
SH-18WHPCAL29	WR510	1.45-2.20	≤15%	≤1.15	≤0.2	L29 Female	≤2000	FDP	Al
SH-18WHPCAL27	WR510	1.45-2.20	≤15%	≤1.15	≤0.2	L27 Female	≤2000	FDP	Al
SH-22WHPCA1 5/8	WR430	1.72-2.61	≤15%	≤1.15	≤0.2	1'5/8 Female	≤3000	FDP	Al
SH-22WHPCA5339	WR430	1.76-2.61	≤15%	≤1.15	≤0.2	5339 Female	≤3000	FDP	Al
SH-22WHPCAL29	WR430	1.72-2.61	≤15%	≤1.15	≤0.2	L29 Female	≤2000	FDP	Al
SH-22WHPCAL27	WR430	1.72-2.61	≤15%	≤1.15	≤0.2	L27 Female	≤2000	FDP	Al
SH-26WHPCAL29	WR340	2.17-3.30	≤15%	≤1.15	≤0.2	L29 Female	≤2000	FDP	Al
SH-26WHPCAL27	WR340	2.17-3.30	≤15%	≤1.15	≤0.2	L27 Female	≤2000	FDP	Al
SH-32WHPCAL29	WR284	2.60-3.95	≤15%	≤1.15	≤0.2	L29 Female	≤1000	FDP	Al
SH-32WHPCAL27	WR284	2.60-3.95	≤15%	≤1.15	≤0.2	L27 Female	≤1000	FDP	Al
SH-40WHPCAL29	WR229	3.22-4.90	≤15%	≤1.15	≤0.2	L29 Female	≤1000	FDP	Al
SH-40WHPCAL27	WR229	3.22-4.90	≤15%	≤1.15	≤0.2	L27 Female	≤1000	FDP	Al
SH-40WHPCAN	WR229	3.22-4.90	≤15%	≤1.25	≤0.2	N Female	≤200	FDP	Al
SH-48WHPCAL29	WR187	3.94-5.99	≤15%	≤1.15	≤0.2	L29 Female	≤1000	FDP	Al
SH-48WHPCAL27	WR187	3.94-5.99	≤15%	≤1.15	≤0.2	L27 Female	≤1000	FDP	Al
SH-48WHPCAN	WR187	3.94-5.99	≤15%	≤1.25	≤0.2	N Female	≤200	FDP	Al
SH-58WHPCAN	WR159	4.64-7.05	≤15%	≤1.25	≤0.2	N Female	≤200	FDP	Al
SH-70WHPCAN	WR137	5.38-8.17	≤15%	≤1.25	≤0.3	N Female	≤200	FDP	Cu
SH-84WHPCAN	WR112	6.57-9.99	≤15%	≤1.25	≤0.3	N Female	≤200	FBP	Cu
SH-100WHPCAN	WR90	8.20-12.4	≤15%	≤1.25	≤0.3	N Female	≤200	FBP	Cu
SH-120WHPCAN	WR75	9.84-15.0	≤15%	≤1.25	≤0.3	N Female	≤200	FBP	Cu
SH-140WHPCAN	WR62	11.9-18.0	≤15%	≤1.15	≤0.3	N Female	≤200	FBP	Cu

WAVEGUIDE TO COAXIAL ADAPTER

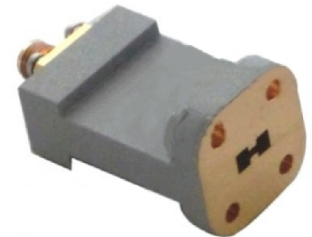
Double-Ridged Waveguide to Coaxial Adapter (Right Angle)



ELECTRICAL CHARACTERISTICS:

Part No.	WG Type EIA	Freq Range (GHz)	VSWR	IL(dB)	Connector	Avg Power(W)	Length L(mm)	Flange	Material
SH-84DRWCAN	WRD84	0.84-2	≤1.50	≤0.50	N Female	800	175	FP	Al
SH-150DRWCAN	WRD150	1.5-3.6	≤1.50	≤0.50	N Female	800	150	FP	Al
SH-200DRWCAN	WRD200	2-4.8	≤1.50	≤0.50	N Female	500	101	FP	Al
SH-250DRWCAN	WRD250	2.6-7.8	≤1.50	≤0.50	N Female	500	70	FP	Al
SH-350DRWCAN	WRD350	3.5-8.2	≤1.50	≤0.50	N Female	500	60	FP	Al
SH-475DRWCAN	WRD475	4.75-11	≤1.50	≤0.50	N Female	300	50	FP	Al
SH-500DRWCAS	WRD500	5-18	≤1.50	≤0.50	SMA Female	300	45	FP	Al
SH-580DRWCAS	WRD580	5.8-16	≤1.50	≤0.50	SMA Female	300	45	FP	Al
SH-650DRWCAS	WRD650	6.5-18	≤1.50	≤0.50	SMA Female	100	45	FP	Cu
SH-750DRWCAS	WRD750	7.5-18	≤1.50	≤0.50	SMA Female	100	40	FP	Cu
SH-700DRWCAS	WRD700	7-18.5	≤1.50	≤0.50	SMA Female	100	40	FP	Cu
SH-1100DRWCAK	WRD110	11-26.5	≤1.50	≤0.50	2.92 Female	50	35	FP	Cu
SH-1800DRWCAK	WRD180	18-40	≤2.00	≤0.50	2.92 Female	50	27	FP	Cu

Double-Ridged Waveguide to Coaxial Adapter (End Launch)



ELECTRICAL CHARACTERISTICS:

Part No.	WG Type EIA	Freq Range (GHz)	VSWR	IL(dB)	Connector	Avg Power(W)	Length L(mm)	Flange	Material
SH-84DRWECAN	WRD84	0.84-2	≤1.50	≤0.50	N Female	800	300	FP	Al
SH-150DRWECAN	WRD150	1.5-3.6	≤1.50	≤0.50	N Female	800	160	FP	Al
SH-200DRWECAN	WRD200	2-4.8	≤1.50	≤0.50	N Female	500	120	FP	Al
SH-250DRWECAN	WRD250	2.6-7.8	≤1.50	≤0.50	N Female	500	85	FP	Al
SH-350DRWECAN	WRD350	3.5-8.2	≤1.50	≤0.50	N Female	500	80	FP	Al
SH-475DRWECAN	WRD475	4.75-11	≤1.50	≤0.50	N Female	300	50	FP	Al
SH-500DRWECAS	WRD500	5-18	≤1.50	≤0.50	SMA Female	300	45	FP	Al
SH-580DRWECAS	WRD580	5.8-16	≤1.50	≤0.50	SMA Female	300	40	FP	Al
SH-650DRWECAS	WRD650	6.5-18	≤1.50	≤0.50	SMA Female	100	33.7	FP	Cu
SH-750DRWECAS	WRD750	7.5-18	≤1.50	≤0.50	SMA Female	100	33.7	FP	Cu
SH-700DRWECAS	WRD700	7-18.5	≤1.50	≤0.50	SMA Female	50	33	FP	Cu
SH-1100DRWECAK	WRD110	11-26.5	≤1.50	≤0.50	2.92 Female	30	30	FP	Cu
SH-1800DRWECAK	WRD180	18-40	≤2.00	≤0.80	2.92 Female	30	36.8	FP	Cu

WAVEGUIDE TO COAXIAL ADAPTER



High Power Double-Ridged Waveguide to Coaxial Adapter

ELECTRICAL CHARACTERISTICS:

Part No.	WG Type EIA	Freq Range (GHz)	VSWR	IL(dB)	Connector	Avg Power(W)	Flange	Material
SH-84DRWHPCA5339	WRD84	0.84-2	≤1.50	≤0.50	5339 Female	1000	FP	Al
SH-84DRWHPCAL29	WRD84	0.84-2	≤1.50	≤0.50	L29 Female	500	FP	Al
SH-84DRWHPCAL27	WRD84	0.84-2	≤1.50	≤0.50	L27 Female	500	FP	Al
SH-84DRWHPCAN	WRD84	0.84-2	≤1.50	≤0.50	N Female	300	FP	Al
SH-150DRWHPCAN	WRD150	1.5-3.6	≤1.50	≤0.50	N Female	300	FP	Al
SH-200DRWHPCAN	WRD200	2-4.8	≤1.50	≤0.50	N Female	300	FP	Al
SH-250DRWHPCAN	WRD250	2.6-7.8	≤1.50	≤0.50	N Female	300	FP	Al
SH-350DRWHPCAN	WRD350	3.5-8.2	≤1.50	≤0.50	N Female	200	FP	Al
SH-475DRWHPCAN	WRD475	4.75-11	≤1.50	≤0.50	N Female	200	FP	Al
SH-500DRWHPCAN	WRD500	5-18	≤1.50	≤0.50	N Female	200	FP	Al
SH-580DRWHPCAN	WRD580	5.8-16	≤1.50	≤0.50	N Female	200	FP	Al
SH-650DRWHPCAN	WRD650	6.5-18	≤1.50	≤0.50	N Female	200	FP	Cu
SH-750DRWHPCAN	WRD750	7.5-18	≤2.00	≤0.50	N Female	200	FP	Cu



Circular Waveguide to Coaxial Adapter

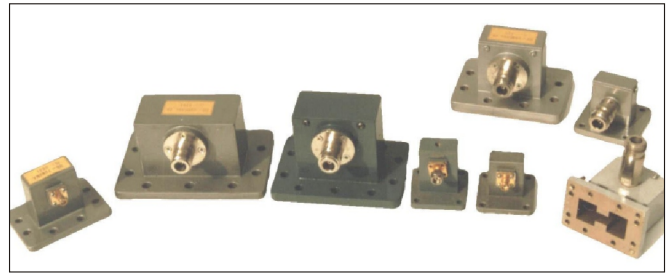
ELECTRICAL CHARACTERISTICS:

Part No.	Freq Range (GHz)	Working Bandwidth	Inner DiameterΦ (mm)	VSWR	Connector
SH-114.58CWCAN	1.76-2.42	≤20%	114.58	≤1.25	N Female
SH-97.87CWCAN	2.1-2.8	≤20%	97.87	≤1.25	N Female
SH-83.62CWCAN	2.45-3.3	≤20%	83.62	≤1.25	N Female
SH-71.42CWCAN	2.83-3.88	≤20%	71.42	≤1.25	N Female
SH-51.99CWCAN	3.9-5.34.5	≤20%	51.99	≤1.25	N Female
SH-44.45CWCAN	5-6.23	≤20%	44.45	≤1.25	N Female
SH-38.1CWCAN	5.3-7.3	≤20%	38.1	≤1.25	N Female
SH-32.537CWCAN	6.3-8.5	≤20%	32.537	≤1.25	N Female
SH-27.788CWCAN	7.3-9.5	≤20%	27.788	≤1.25	N Female
SH-23.825CWCAN	8.5-11.5	≤20%	23.825	≤1.25	N Female
SH-17.415CWCAS	11.6-15.9	≤20%	17.415	≤1.25	SMA Female
SH-15.088CWCAS	13.4-18.4	≤20%	15.088	≤1.25	SMA Female
SH-12.7CWCAS	15.9-21.8	≤20%	12.7	≤1.25	SMA Female
SH-9.525CWCAK	21.2-29.1	≤20%	9.525	≤1.25	2.92 Female
SH-8.331CWCAK	24.3-33.2	≤15%	8.33	≤1.30	2.92 Female
SH-7.137CWCAK	28.3-38.8	≤15%	17.137	≤1.30	2.92 Female

WAVEGUIDE TO COAXIAL ADAPTER

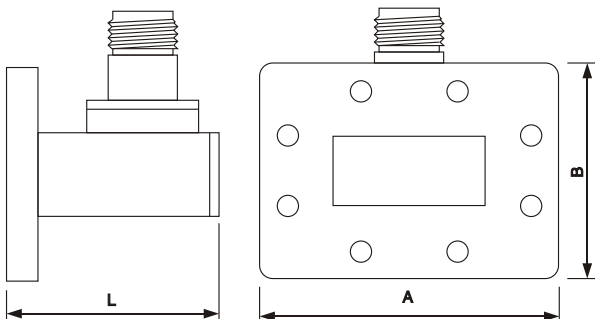
Waveguide to Coaxial Adapter (Right Angle)

Shinhom Microwave manufactures Waveguide to Coaxial Adapters covering a full frequency range for Rectangular Waveguides, with multiple flange and coaxial connector types and configurations available. For more information feel free to call us and discuss your needs with one of our sales engineers.



ELECTRICAL CHARACTERISTICS:

Part No.	Freq Range (GHz)	VSWR (Max)	Dimensions L*B*A(mm)	WG Type		Flange	Material
				IEC	EIA		
SH-3WCAN...	0.32-0.49	1.25	400*384*676	R3	WR2300	FDP/FDM	Al
SH-4WCAN...	0.35-0.53	1.25	380*359*626	R4	WR2100	FDP/FDM	Al
SH-5WCAN...	0.41-0.62	1.25	350*318*546	R5	WR1800	FDP/FDM	Al
SH-6WCAN...	0.49-0.75	1.25	300*280*470	R6	WR1500	FDP/FDM	Al
SH-8WCAN...	0.64-0.98	1.25	260*235*381	R8	WR1150	FDP/FDM	Al
SH-9WCAN...	0.75-1.15	1.25	231*212*336	R9	WR975	FDP/FDM	Al
SH-12WCAN...	0.96-1.46	1.25	166*187*285	R12	WR770	FDP/FDM	Al
SH-14WCAN...	1.13-1.73	1.25	150*138*220	R14	WR650	FDP/FDM	Al
SH-18WCAN...	1.45-2.20	1.25	120*120*185	R18	WR510	FDP/FDM	Al/Cu
SH-22WCAN...	1.72-2.61	1.25	100*106*161	R22	WR430	FDP/FDM	Al/Cu
SH-26WCAN...	2.17-3.30	1.25	90*95*138	R26	WR340	FDP/FDM	Al/Cu
SH-32WCAN...	2.60-3.95	1.25	72*76*114	R32	WR284	FDP/FDM	Al/Cu
SH-40WCAN...	3.22-4.90	1.25	65*70*98	R40	WR229	FDP/FDM	Al/Cu
SH-48WCAN...	3.94-5.99	1.25	54*63*89	R48	WR187	FDP/FDM	Al/Cu
SH-58WCAN...	4.64-7.05	1.25	50*62*81	R58	WR159	FDP/FDM	Al/Cu
SH-70WCAN...	5.38-8.17	1.25	48*49*68	R70	WR137	FDP/FDM	Al/Cu
SH-84WCAN...	6.57-9.99	1.25	40*48*48	R84	WR112	FBP/FBM/FBE	Al/Cu
SH-100WCAN...	8.20-12.4	1.25	38*41*41	R100	WR90	FBP/FBM/FBE	Al/Cu
SH-120WCAN...	9.84-15.0	1.25	30*38*38	R120	WR75	FBP/FBM/FBE	Al/Cu
SH-140WCAN...	11.9-18.0	1.25	27*33*33	R140	WR62	FBP/FBM/FBE	Al/Cu
SH-180WCAN...	14.5-22.0	1.25	27*30*30	R180	WR51	FBP/FBM/FBE	Al/Cu



Ordering Information

Example Part No: SH - 70 WCA N K M A

Shinhom Microwave
 WG type: R70
 Product Type: WG To Coaxial Adapter
 Coax Connector Type: N=Type N, S=SMA, 2.92=K2.92mm, 2.4=2.4mm, TNC=TNC

Material : A=Aluminum
 C=Copper
 Flange Type: M=FDM70
 J=Male, K=Female

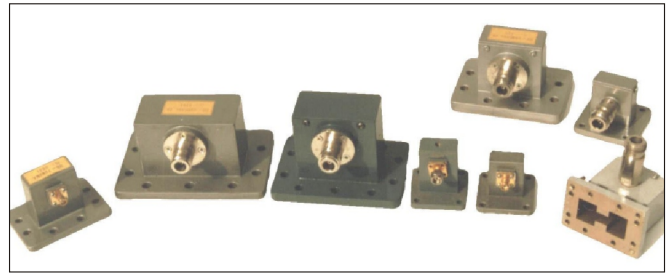
Type N Waveguide to Coaxial Adapters

- Flange type: Multiple types available – see Shinhom Microwave Flanges page
- Finish: Corrosion protection plus black/grey top coat
- Standard unit provided not sealed pressure tight unless otherwise specified

WAVEGUIDE TO COAXIAL ADAPTER

Waveguide to Coaxial Adapter (Right Angle)

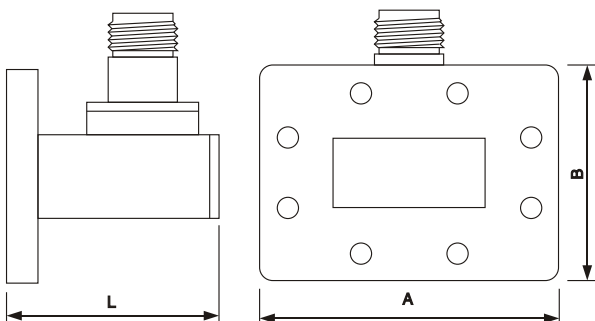
Shinhom Microwave manufactures Waveguide to Coaxial Adapters covering a full frequency range for Rectangular Waveguides, with multiple flange and coaxial connector types and configurations available. For more information feel free to call us and discuss your needs with one of our sales engineers.



SMA Waveguide to Coaxial Adapters

ELECTRICAL CHARACTERISTICS:

Part No.	Freq Range (GHz)	VSWR (Max)	Dimensions L*B*A(mm)	WG Type		Flange	Material
				IEC	EIA		
SH-100WCAS...	8.20-12.4	1.25	38*41*41	R100	WR90	FBP/FBM/FBE	Al/Cu
SH-100WCAS...	9.84-15.0	1.25	30*38*38	R120	WR75	FBP/FBM/FBE	Al/Cu
SH-100WCAS...	11.9-18.0	1.25	27*33*33	R140	WR62	FBP/FBM/FBE	Al/Cu
SH-100WCAS...	14.5-22.0	1.25	27*30*30	R180	WR51	FBP/FBM/FBE	Al/Cu
SH-100WCAS...	17.6-26.7	1.40	25*22*22	R220	WR42	FBP/FBM/FBE	Al/Cu
SH-100WCAS...	26.3-40.0	1.50	25*19*19	R320	WR28	FBP/FBM/FBE	Al/Cu



Type N Waveguide to Coaxial Adapters

Ordering Information

Example Part No: SH - 100 WCA S K P C
 Shinhom Microwave ———
 WG type: R100 ———
 Product Type: WG To Coaxial Adapter ———
 Coax Connector Type: N=Type N, S=SMA, 2.92=K2.92mm, 2.4=2.4mm, TNC=TNC ———
 Material: A=Aluminum
 C=Copper
 Flange Type: P=FBP100
 J=Male, K=Female

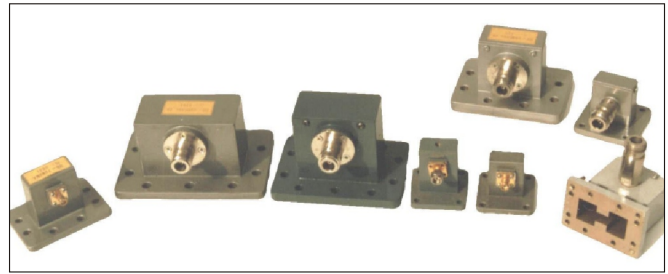
- Flange type: Multiple types available – see Shinhom Microwave Flanges page
- Finish: Corrosion protection plus black top coat
- Standard unit provided not sealed pressure tight unless otherwise specified

WAVEGUIDE COMPONENTS

WAVEGUIDE TO COAXIAL ADAPTER

Waveguide to Coaxial Adapter (Right Angle)

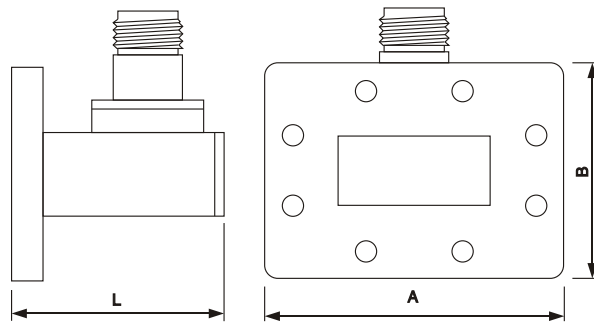
Shinhom Microwave manufactures Waveguide to Coaxial Adapters covering a full frequency range for Rectangular Waveguides, with multiple flange and coaxial connector types and configurations available. For more information feel free to call us and discuss your needs with one of our sales engineers.



K2.92mm Waveguide to Coaxial Adapters

ELECTRICAL CHARACTERISTICS:

Part No.	Freq Range (GHz)	VSWR (Max)	Dimensions L*B*A(mm)	WG Type		Flange	Material
				IEC	EIA		
SH-220WCA2.92...	17.6-26.7	1.35	33*22*22	R220	WR42	FBP/FBM/FBE	Al/Cu
SH-260WCA2.92...	21.7-33.0	1.35	27*21*21	R260	WR34	FBP/FBM/FBE	Al/Cu
SH-320WCA2.92...	26.3-40.0	1.25	25*19*19	R320	WR28	FBP/FBM/FBE	Al/Cu
SH-400WCA2.92...	33.0-50.0	1.80	31*28.6*28.6	R400	WR22	FUGP	Cu



Type N Waveguide to Coaxial Adapters

Ordering Information

Example Part No: SH - 220 WCA 2.92 K P C

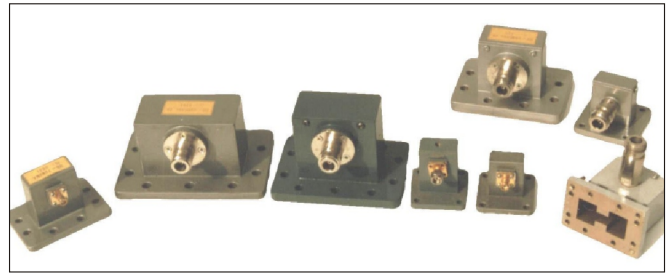
Shinohm Microwave ————
 WG type: R220 ————
 Product Type: WG To Coaxial Adapter ————
 Coax Connector Type: N=Type N, S=SMA, 2.92=K2.92mm, 2.4=2.4mm, TNC=TNC ————
 Material : A=Aluminum C=Copper ————
 Flange Type: P=FBP220 ————
 J=Male, K=Female ————

- Flange type: Multiple types available – see Shinohm Microwave Flanges page
- Finish: Corrosion protection plus black top coat
- Standard unit provided not sealed pressure tight unless otherwise specified

WAVEGUIDE TO COAXIAL ADAPTER

Waveguide to Coaxial Adapter (Right Angle)

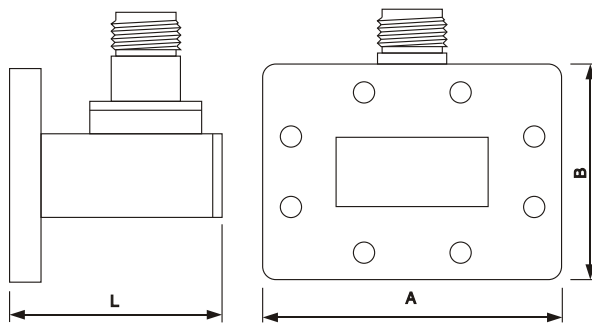
Shinhom Microwave manufactures Waveguide to Coaxial Adapters covering a full frequency range for Rectangular Waveguides, with multiple flange and coaxial connector types and configurations available. For more information feel free to call us and discuss your needs with one of our sales engineers.



2.4mm Waveguide to Coaxial Adapters

ELECTRICAL CHARACTERISTICS:

Part No.	Freq Range (GHz)	VSWR (Max)	Dimensions L*B*A(mm)	WG Type		Flange	Material
				IEC	EIA		
SH-220WCA2.4...	17.6-26.7	1.35	36*22*22	R220	WR42	FBP/FBM/FBE	Al/Cu
SH-260WCA2.4...	21.7-33.0	1.35	27*21*21	R260	WR34	FBP/FBM/FBE	Al/Cu
SH-320WCA2.4...	26.3-40.0	1.35	25*19*19	R320	WR28	FBP/FBM/FBE	Al/Cu
SH-400WCA2.4...	33.0-50.0	1.50	25*28.6*28.6	R400	WR22	FUGP	Cu



Type N Waveguide to Coaxial Adapters

Ordering Information

Example Part No: SH - 320 WCA 2.4 K P C

Shinhom Microwave ————
 WG type: R320 ————
 Product Type: WG To Coaxial Adapter ————
 Coax Connector Type: N=Type N, S=SMA, 2.92=K2.92mm, 2.4=2.4mm, TNC=TNC ————

Material: A=Aluminum C=Copper
 Flange Type: P=FBP320
 J=Male, K=Female

- Flange type: Multiple types available – see Shinhom Microwave Flanges page
- Finish: Corrosion protection plus black top coat
- Standard unit provided not sealed pressure tight unless otherwise specified

WAVEGUIDE TO COAXIAL ADAPTER

Waveguide to Coaxial Adapter Right Angle

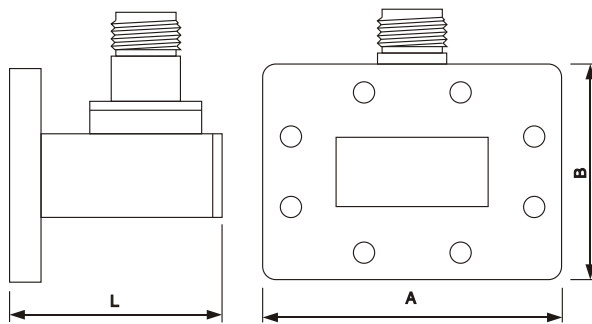
Shinhom Microwave manufactures Waveguide to Coaxial Adapters covering a full frequency range for Rectangular Waveguides, with multiple flange and coaxial connector types and configurations available. For more information feel free to call us and discuss your needs with one of our sales engineers.



1.85mm Waveguide to Coaxial Adapters

ELECTRICAL CHARACTERISTICS:

Part No.	Freq Range (GHz)	VSWR (Max)	Dimensions L*B*A(mm)	WG Type		Flange	Material
				IEC	EIA		
SH-400WCA1.85...	33-55	1.50	27*28.6*28.6	R400	WR22	FUGP	Cu
SH-500WCA1.85...	40-60	1.50	27*28.6*28.6	R500	WR19	FUGP	Cu
SH-620WCA1.85...	55-65	1.80	30*19.1*19.1	R620	WR15	FUGP	Cu
SH-740WCA1.85...	55-65	1.80	28*28.6*28.6	R740	WR12	FUGP	Cu



Type N Waveguide to Coaxial Adapters

Ordering Information

Example Part No: SH - 320 WCA 1.85 K P C

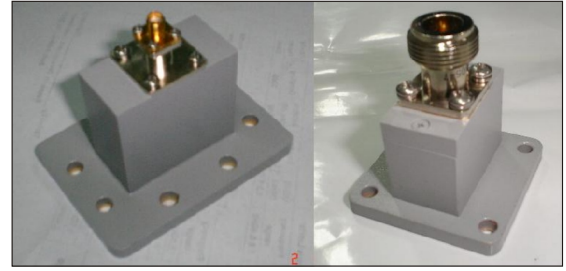
Shinhom Microwave ————
 WG type: R320 ————
 Product Type: WG To Coaxial Adapter ————
 Coax Connector Type: N=Type N, S=SMA, 2.92=K2.92mm, 2.4=2.4mm, TNC=TNC 1.85=1.85mm ————
 Material: A=Aluminum C=Copper ————
 Flange Type: P=FBP320 ————
 J=Male, K=Female ————

- Flange type: Multiple types available – see Shinhom Microwave Flanges page
- Finish: Corrosion protection plus black top coat
- Standard unit provided not sealed pressure tight unless otherwise specified

WAVEGUIDE TO COAXIAL ADAPTER

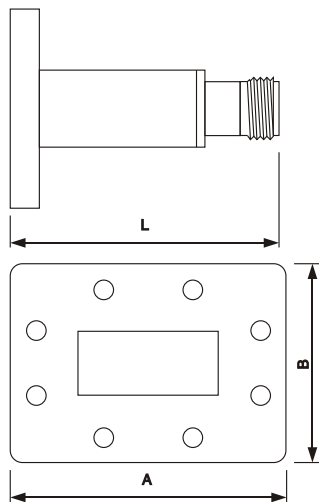
Waveguide to Coaxial Adapter (End-launch)

Shinhom Microwave manufactures End-launch Waveguide to Coaxial Adapters covering a full frequency range for Rectangular Waveguides, with multiple flange and coaxial connector types and configurations available. For more information feel free to call us and discuss your needs with one of our sales engineers.



ELECTRICAL CHARACTERISTICS:

Part No.	Freq Range (GHz)	VSWR (Max)	Connector Type	Dimensions L*B*A(mm)	WG Type		Flange	Material
					IEC	EIA		
SH-22WECAN...	1.72-2.61	1.25	N	128.7*106161	R22	WR430	FDP/FDM	Al/Cu
SH-22WECAS...	1.72-2.61	1.25	SMA	113.4*106*161	R22	WR430	FDP/FDM	Al/Cu
SH-26WECAN...	2.17-3.30	1.25	N	118.7*95*138	R26	WR340	FDP/FDM	Al/Cu
SH-32WECAN...	2.60-3.95	1.25	N	108.7*76*114	R32	WR284	FDP/FDM	Al/Cu
SH-40WECAN...	3.22-4.90	1.25	N	94.7*70*98	R40	WR229	FDP/FDM	Al/Cu
SH-48WECAN...	3.94-5.99	1.25	N	74.7*63*89	R48	WR187	FDP/FDM	Al/Cu
SH-48WECAS...	3.94-5.99	1.25	SMA	78.4*63*89	R48	WR187	FDP/FDM	Al/Cu
SH-58WECAN...	4.64-7.05	1.25	N	72.4*62*81	R58	WR159	FDP/FDM	Al/Cu
SH-70WECAN...	5.38-8.17	1.25	N	68.8*49*68	R70	WR137	FDP/FDM	Al/Cu
SH-84WECAN...	6.57-9.99	1.25	N	58.8*48*48	R84	WR112	FDP/FDM	Al/Cu
SH-84WECAS...	6.57-9.99	1.25	SMA	49.5*48*48	R84	WR112	FDP/FDM	Al/Cu
SH-100WECAN...	8.20-12.40	1.25	N	49.3*41*41	R100	WR90	FDP/FDM	Al/Cu
SH-100WECAS...	8.20-12.40	1.25	SMA	40*41*41	R100	WR90	FDP/FDM	Al/Cu
SH-120WECAN...	9.84-15.0	1.25	N	46.3*38*38	R120	WR75	FDP/FDM	Al/Cu
SH-120WECAS...	9.84-15.0	1.25	SMA	37*38*38	R120	WR75	FDP/FDM	Al/Cu
SH-140WECAN...	11.9-18.0	1.25	N	43.3*33*33	R140	WR62	FDP/FDM	Al/Cu
SH-140WECAS...	11.9-18.0	1.25	SMA	34*33*33	R140	WR62	FDP/FDM	Al/Cu
SH-220WECAS...	17.6-26.7	1.50	SMA	26.5*22*22	R220	WR42	FDP/FDM	Al/Cu
SH-220WECAK...	17.6-26.7	1.50	K2.92mm	27.8*22*22	R220	WR42	FDP/FDM	Al/Cu
SH-260WECAS...	21.7-33.0	1.50	SMA	26.121*21	R260	WR34	FDP/FDM	Al/Cu
SH-260WECAK...	21.7-33.0	1.50	K2.92mm	29*21*21	R260	WR34	FDP/FDM	Al/Cu
SH-320WECAS...	26.3-40.0	1.50	SMA	25.9*19*19	R320	WR28	FDP/FDM	Al/Cu
SH-320WECAK...	26.3-40.0	1.50	K2.92mm	28.9*19*19	R320	WR28	FDP/FDM	Al/Cu
SH-400WECAV...	33.0-50.0	1.50	V2.4mm	19*28.6*28.6	R400	WR22	FUGP	Cu
SH-620WEC A1.85	50.0-67.0	1.80	1.85mm	17.65*19.1*19.1	R620	WR19	FUGP	Cu



Ordering Information

Example Part No: SH - 70 WECA N K M A

Shinhom Microwave
 WG type: R70
 Product Type: WG To Coaxial Adapter(End-launch)
 Coax Connector Type: N=Type N, S=SMA, 2.92=K2.92mm, 2.4=2.4mm, TNC=TNC
 Material : A=Aluminum, C=Copper
 Flange Type: M=FDM70
 J=Male, K=Female

- Flange type: Multiple types available – see Shinhom Microwave Flanges page
- Finish: Corrosion protection plus black top coat
- Standard unit provided not sealed pressure tight unless otherwise specified